

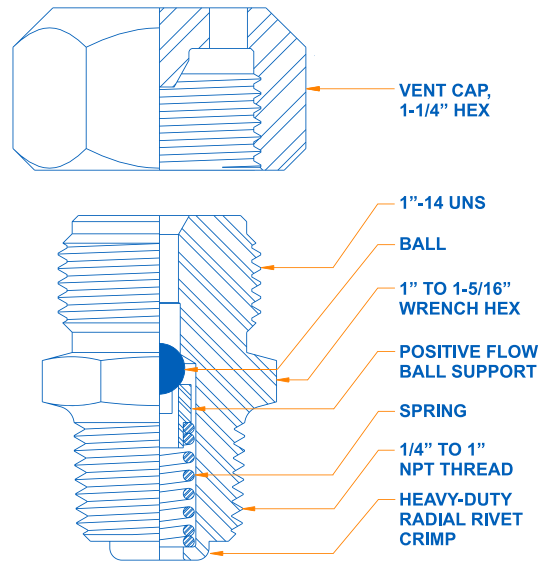
Chemola™ Delta A Series is a precision-made standard body fitting for gate, ball and plug valves. It features a long-thread body and deep seating. This fitting is also a spring loaded, single check valve.

Materials

Component	Material
Body	Low-carbon steel
Plating	Zinc with dichromate
Ball	Chrome alloy
Spring	302 SS

Ordering Information

Item Number	Unit Size
A014-09	1/4" NPT thread
A038-09	3/8" NPT thread
A012-09	1/2" NPT thread



*Also available in stainless steel.
Additional sizes available.*