

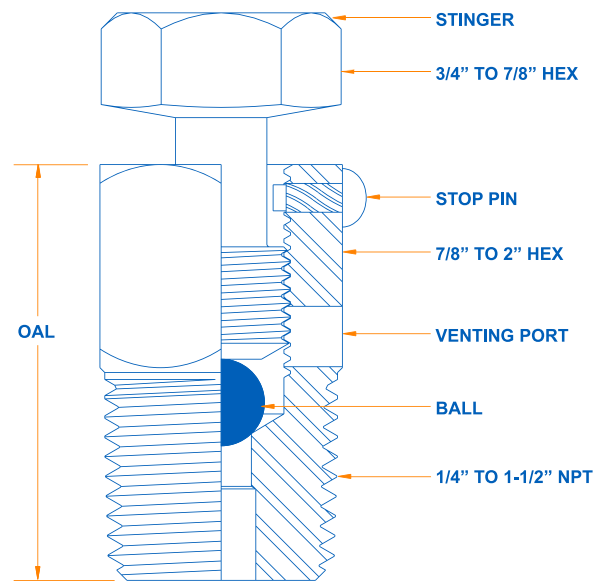
The **Chemola™ Delta R Series** is a loose ball-type check relief fitting. It features a positive pin-type stop to prevent the complete removal of the bleed screw. The fitting is rated for service to 10,000 psi.

Materials

Component	Material
Body	1215 Low-carbon steel
Cap	1215 Low-carbon steel
Plating	Zinc and dichromate
Ball	440 SS

Ordering Information

Item Number	Unit Size
R014-09	1/4" NPT thread
R038-09	3/8" NPT thread
R012-09	1/2" NPT thread



Also available in stainless steel.