

# Chemola™ Delta “B” Series

## Capped Vent Fitting with Giant Buttonhead Fitting

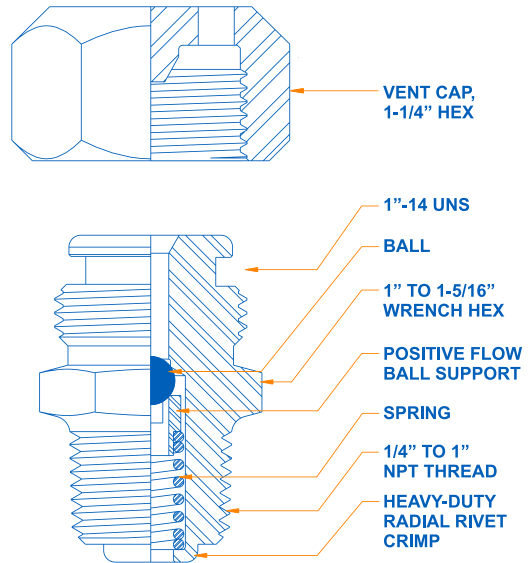
The Chemola™ Delta B Series is identical to the A series fitting, but with a giant buttonhead flange arrangement. This allows lubrication with high-pressure equipment and a giant buttonhead coupler. The fitting is rated for service to 10,000 psi.

### Materials

Component	Material
Body	1215 Low-carbon steel
Ball	Chrome alloy
Spring	302 SS

### Ordering Information

Item Number	Unit Size
B014-09	1/4" NPT thread
B038-09	3/8" NPT thread
B012-09	1/2" NPT thread
B034-09	3/4" NPT thread
B100-09	1" NPT thread



*Also available in stainless steel.  
Additional sizes available.*