

# Chemola™ Delta “M” Series Capped Body Vent Fitting

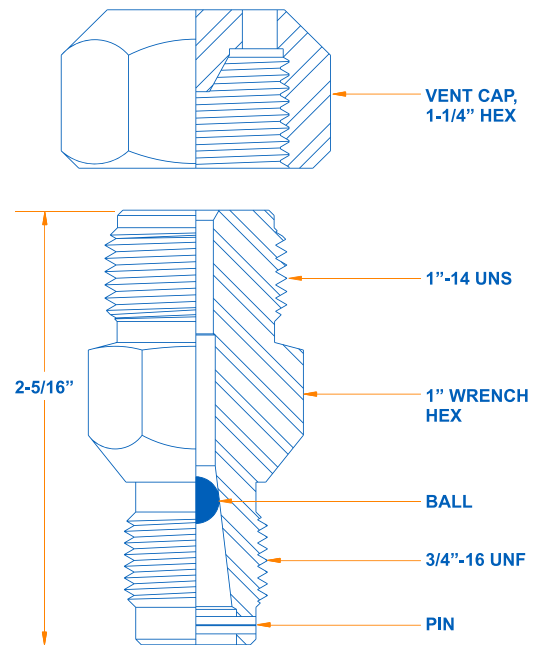
The Chemola™ Delta M Series capped body fitting has a single loose ball check which seats on a taper. The fitting is rated for service to 10,000 psi.

## Materials

Component	Material
Body	1215 Low-carbon steel
Cap	1215 Low-carbon steel
Ball	Chrome alloy

## Ordering Information

Item Number	Unit Size
A078-09	7/8"-14 cap 3/4"-16 body thread
A081-09	1"-14 cap 3/4"-16 body thread



*Also available in stainless steel.*